

ALL UNIT IN MM
 UNLESS OTHERWISE SPECIFIED
 ASSY LENGTH TOLERANCE
 < 150mm = ±10
 ≥ 150mm and < 250mm = ±15
 ≥ 250mm and < 500mm = ±20
 ≥ 500mm and < 1000mm = ±30
 ≥ 1000mm and < 5000mm = ±50
 5000mm and above = ±100

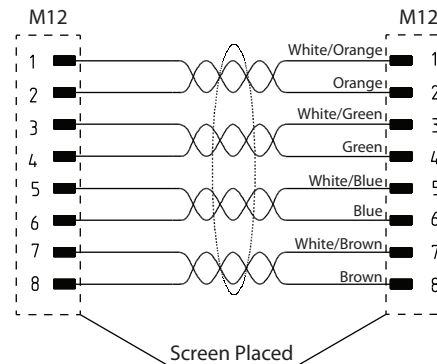
This document is the property of Alysium-Tech. It must not be copied or otherwise disclosed without prior written consent

RoHS COMPLIANT

BILL OF MATERIALS

Item	Description
1	A26-4914 IO Moulded <BLK> M12 X-Coded 8P CAT6A Male Connector Solder Type Rating: IP67
2	A07-0528 [OD=5.98mm] <BLK> Halogen Free CAT7, 4Pair26AWG, Dual Sheilded with LSZH TPU Jacket.
3	Cable Label(s)
4	Heat Sealed PE Bag

WIRING DIAGRAM



PACKAGING DETAIL

